



baierl + demmelhuber

## **Interior manufacturer decides for highly available Stretched Cluster with Open-E JovianDSS**



**As an owner-managed company, baierl + demmelhuber is doing business all over Europe and is a leading manufacturer of high-quality interior design. With more than 500 employees at nine locations, the company creates interiors for well-known retail brands and international airlines as well as large-scale public projects and modern office spaces.**

The company was looking for a fail-safe and high-performing Cluster environment with Hyper-V. This infrastructure was supposed to unite various operating systems and applications such as AD/DNS, File&Print, database servers, application servers, ERP system, terminal services etc. for over 300 users.



# Solution

baierl + demmelhuber commissioned Open-E Platinum Partner EUROstor from Filderstadt, Germany with the task who presented a Stretched Cluster based on the ZFS-based storage software Open-E JovianDSS.

The configuration was installed as an active-active setup over two data pools in two server rooms connected through fibre optic cabling.

As both fire protection zones were located only 100m / 328ft apart from each other, the JBODs were connected via 16Gb Fibre Channel without a switch.

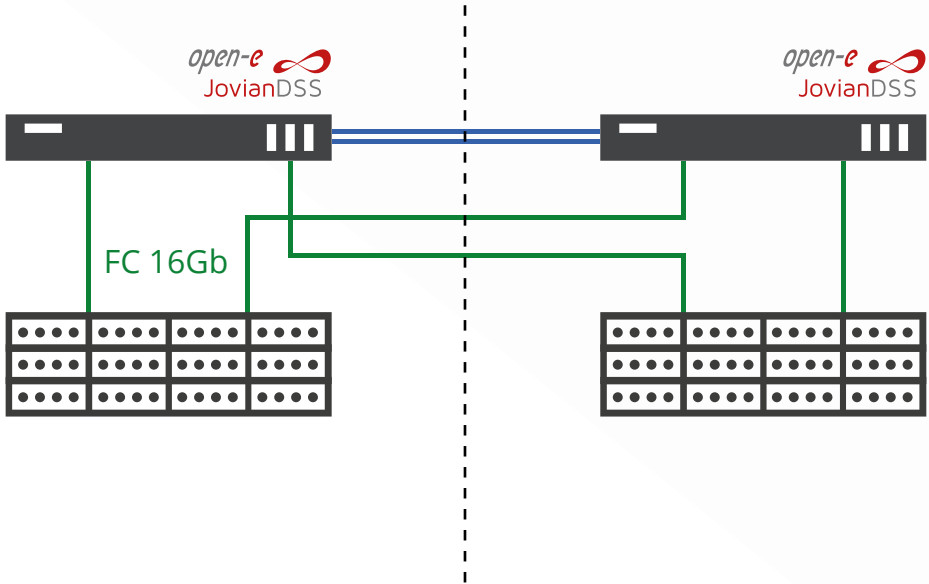
## Configuration per Cluster node

Server	2U, 19" rackmount, redundant power supplies, fans and boot devices
Processor	1 x Intel® Xeon E5-1650v4
RAM	128GB DDR-4 RAM, ECC, registered
HBA	QLE-2672-CK for connecting Sub-RAIDS / JBODs
Ethernet	2 x 1GbE Ethernet (copper / RJ45) on board 2 x 10GbE Ethernet (SFP+) for connecting host / switch
Software	128TB Open-E JovianDSS capacity license

## Configuration per JBOD

JBOD	4U, 24 slots with 2 x 16GBit Fibre Channel, single controller
HDD Pool	Write cache: 1 x ZIL 200GB SSD Read cache: 1 x L2ARC 400GB SSD HDDs: 16 x 6TB SAS
SSD Pool	6 x 1,92 TB SAS SSD

# Hardware setup



## Customer feedback

Michael Hackel, Head of IT Infrastructure

„We are absolutely happy with our new High Availability solution from EUROstor. The performance is excellent and Open-E JovianDSS enables us to perform maintenance and updates anytime, without interruptions for users. Due to the fast storage based on SSDs, time-sensitive applications are running smoothly and we have enough HDD storage space left for future growth of our data.“

# About baierl + demmelhuber

International high-end project business meets real craftsmanship. As an individual trade or a turn-key complete solution while acting as a general contractor, young and cutting-edge teams are taking care of customers throughout Europe and further. The portfolio includes retail projects for international luxury brands as well as exclusive hotels and spas, airport lounges, large-scale public projects and modern office spaces. Quality, time and budget are under control during the whole process. The experience in international projects over decades, company-owned factories and specialists from all major trades make baierl + demmelhuber the best choice for any interior design project since 1964. More on: [www.demmelhuber.de/en](http://www.demmelhuber.de/en)

# About EUROstor

EUROstor has been a manufacturer of storage systems for more than 12 years. Originally manufacturing RAID systems, today the main part of the product portfolio are server based systems, acting as flexible storage servers, tailor-made for the customers' needs. Solutions range from small file servers and CCTV storage to high available storage clusters, scale-out clusters and cloud solutions. EUROstor, located in Filderstadt near Stuttgart (Germany), sells to professional end users all over Europe, SMBs, universities and research institutes and data centers. More information on [www.eurostor.com](http://www.eurostor.com)

# About Open-E

Open-E, founded in 1998, is a well-established developer of IP-based storage management software. Its flagship product Open-E JovianDSS is a robust, award-winning storage application which offers excellent compatibility with industry standards, and is the easiest to use and manage. Additionally, it is of the most stable solutions on the market and undisputed price performance leader. Thanks to its reputation, experience and business reliability, Open-E has become the technology partner of choice for industry-leading IT companies. Open-E accounts for over 30,000 installations world-wide and has received numerous industry awards and recognition, also with its product Open-E DSS V7. For further information about Open-E, its products and partners, visit:

<http://www.open-e.com>

More information:

EUROstor GmbH | +49 711/707091-70

[sales@EUROstor.com](mailto:sales@EUROstor.com)

Open-E GmbH | +49 (89) 800777 0

[info@open-e.com](mailto:info@open-e.com)